

DA Manual

Version 1.01

**Green
Environmental Protection
Innovate
Energy Saving**



LOHAS A HOUSE

Motorized
Awning

⚠ General Safety Regulations

Please read and understand the following instructions. Incorrect installation or incorrect use of the product could cause serious harm to people and the product itself.

1. All installation, adjustment, repair and service work must be carried out by a suitably qualified person.
2. The installer should explain and demonstrate the method of operation and the product in case of emergency to the consumers.
3. Do not allow children or any unauthorized person to be around the installation site.
4. Do not in any way modify the components of the product.
5. Before installation, make sure that the mains power supply meets the requirement of the automated system with well-constructed earthing system.
6. Regular check up is recommended to ensure the system works in good condition.
7. AHOUSE does not accept any liability caused by improper use of the product, safety problem caused by using spare parts that are not produced by our factory or for use other than that for which the automated system was intended.
8. As there are limited installation dimension examples in this manual, other installation dimensions should be based on actual awning size and owner's requirement.
9. The installation manual should be kept in appropriate place for further reference.

✚ Applications

- Awning
- Skylight
- Wall Curtain
- Casement Window
- Roller Blind

Perfect ventilation tool for commercial and industrial spaces

✚ Inside Packing

1. DA motor x 1
2. Hardware installation accessories x 1
3. Remote control x 2
4. DC24V 8A Power adapter x 1
5. Installation guide x 1

LOHAS A HOUSE

DA

✚ Features

1. High torque, DC24V low voltage motor for maximum safety.
2. Aluminum frame housing, fully built-in compact design, easy installation.
3. Soft start and soft stop function.
4. Automatic stop when hitting obstacles during opening or closing
5. Built-in hall sensor for accurate opening and closing range with self-learning function.
6. Programme setting by remote control.
7. Can be operated by electric power or solar system.

✚ Technical Specifications

Electrical

Power Supply	AC 110V/ 240V
Operating Voltage	DC 24V
Operating Current	8A
Safety Detection	Over Current Detection
Optional Accessories	Smoke Detector, Temperature Detector and Wind/ Light/ Rain Detector
Control System	Electric power or solar control system
Control Panel	Built in controller/ solar power control system (optional)
Remote Control Button	close/ open/ stop/ function

Mechanical

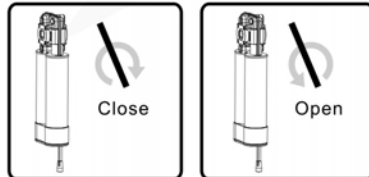
Model	DA
Suitable Awnings Width	1 to 8 meter
Torque	70N.M
Housing	Aluminium Housing
Driving Method	Worm Gear
Awnings Moving Speed	Open speed 1.5~ 2 minutes, close speed 2~ 2.5 minutes
Noise	Below 50DB
Operating Temperature	- 25°C ~ + 50°C
Motor Size	275*110*45 mm
Carton Size	325*150*90 mm

LOHAS A HOUSE

DA

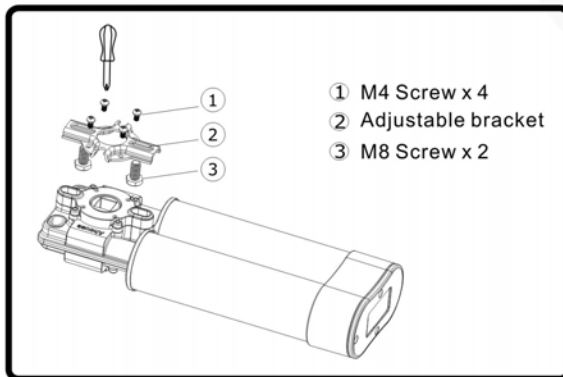
▶ Before Installation

1. Before installation, please make sure the awning is completely retracted back.
2. This awning operator is suitable for awning width range within 1-8 meters.
3. Confirm the operator direction
Connect the power adapter to the main power supply, and then press the open/close button of the remote control to ensure the motor operation direction is same as the awning open/close direction.



* Keep the folding arm not in fully opened position
Suggest opening awning range is 90 percent

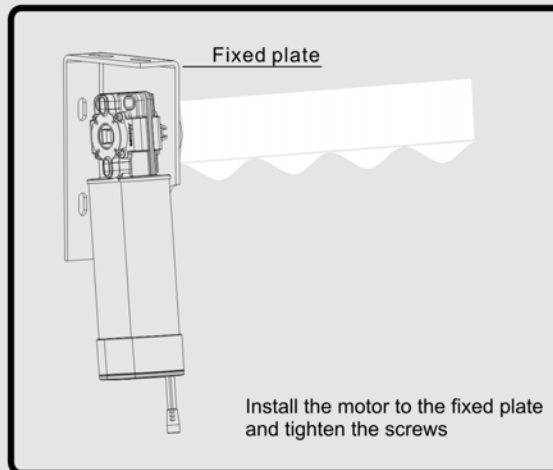
✦ RA



LOHAS A HOUSE

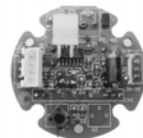
Motorized
Awning

✦ Installation Diagram



✦ Remote Control Learning / Erasing code

Remote control learning



Learn Button of Remote Control

Press the learn button on the circuit panel for more than 1 second and release it, then press any button on the remote control for about 2 seconds, the learning processed is done.
Can set 3 pcs remote control at most

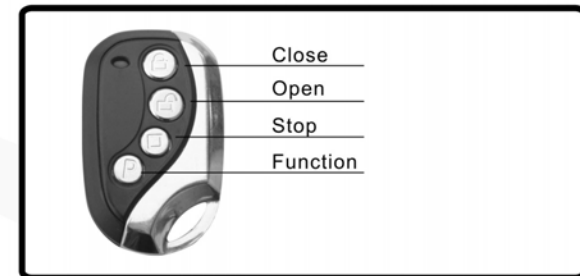
Erasing code

Use the same remote control to activate code for 3 times continuously.

LOHAS A HOUSE

DA

✦ Total timer setting (Ⓟ+Ⓜ/Ⓜ/Ⓜ)



Step 1

First keep pressing the "ⓅFunction" button on the remote control, meanwhile press the "Ⓜ Close" button wait until the motor start to operate and release both buttons, wait the motor operate to end position and stop.

Step 2 Opening Setting

First keep pressing the "Ⓟ Function" button on the remote control, meanwhile press the "Ⓜ Open" button wait until the motor start to operate and release both buttons, let the awning to open until desired position then press the "Ⓜ Stop" button, the setting is done.

Step 3 Closing Setting

The same operation like step 1

Step 4

During power failure, once recovering the power supply need to press "Ⓜ Close" button to close the awning fully before carrying any other operation.

*The default setting for both opening and closing of the awning is 2 minutes.
After completed the above procedures, the system will automatically memorize total time of opening /closing and Allocate the time of high speed and low speed operations.

LOHAS A HOUSE

DA